

2007

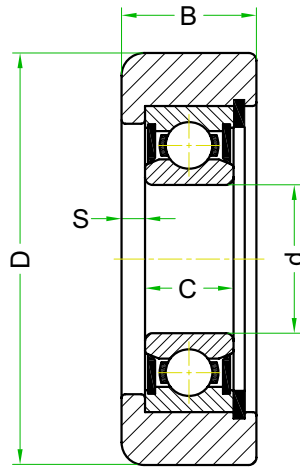
BECO Italy

Fork Lift Bearings

2007

UNIT 4

Fork Lift Bearings. Suitable CATERPILLAR



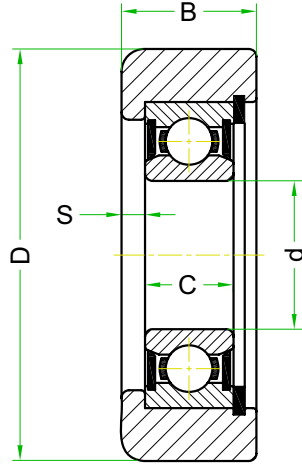
Unit: mm

Code	Original ref.	Dimensions					Weight, kg
		d	D	B	C	S	
C 0030	091132/371202	35	101.5	28.5	21	3	
C 0070	314046	45	127	33.5	25	4	

Remarks:

Original references are for correct identification of products only.

Fork Lift Bearings. Suitable CLARC



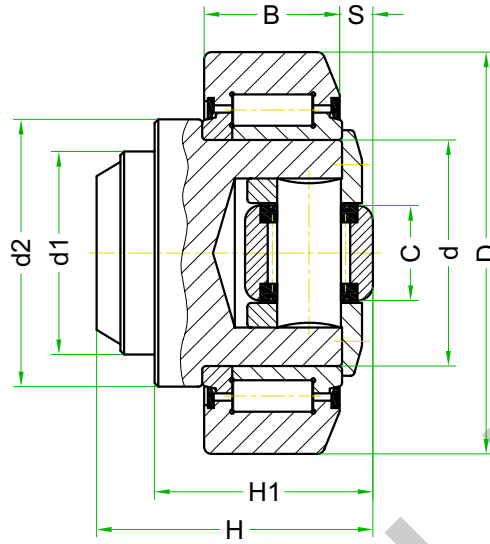
Unit: mm

Code	Original ref.	Dimensions					Weight, kg
		d	D	B	C	S	
C 0010	1695854	30	88.9	25.5	19	3	
C 0020	4330972	35	95	25.5	17	4	
C 0030	342957	35	101.5	28.5	21	3	
C 0040	2801859	40	101.5	28.5	23	3	
C 0050	2803437	40	102.5	28.5	23	3	
C 0060	2803512	40	115	28.5	23	3	
C 0070	2782771	45	127	33.5	25	4	

Remarks:

Original references are for correct identification of products only.

Fork Lift Bearings. Suitable CTC



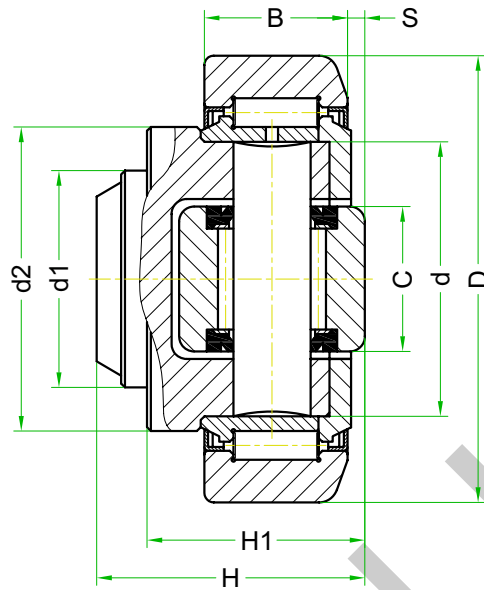
Unit: mm

Code	Original ref.	Dimensions									Weight, kg
		d1	D	B	H	H1	C	d	d2	S	
E 0310	-	35	70.1	23	48	40	16	42	48	6.5	0.90
E 0320	-	40	77.7	23	50.5	39.5	21	46	53	7	1.05

Remarks:

Original references are for correct identification of products only.

Fork Lift Bearings. Suitable ELECAR



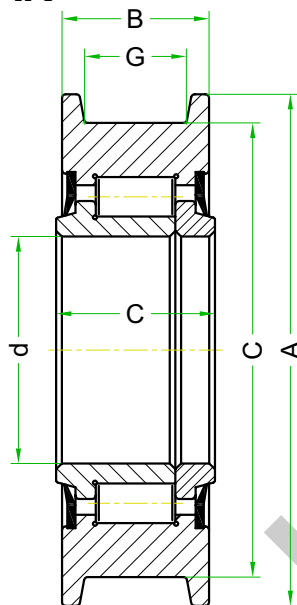
Unit: mm

Code	Original ref.	Dimensions									Weight, kg
		d1	D	B	H	H1	C	d	d2	S	
E 0010	599	30	62	20	37.5	30.5	20	38	42	2.5	0.52
E 0020	582	35	70.1	23	44	36	22	42	48	2.5	0.78
E 0030	584	40	77.7	23	48	36.5	24	46	54	3.5	1.20
E 0040	588	45	88.9	30	57	44	26	50	59	3.5	1.61
E 0050	592	60	107.7	31	69	55	34	63	71	3.5	2.69
E 0060	596	60	123.1	37	72.3	56	40	71	80	4.5	3.88
E 0070	600	60	149	43	78.5	58.5	50	90	103	5	6.65

Remarks:

Original references are for correct identification of products only.

Fork Lift Bearings. Suitable ELECAR



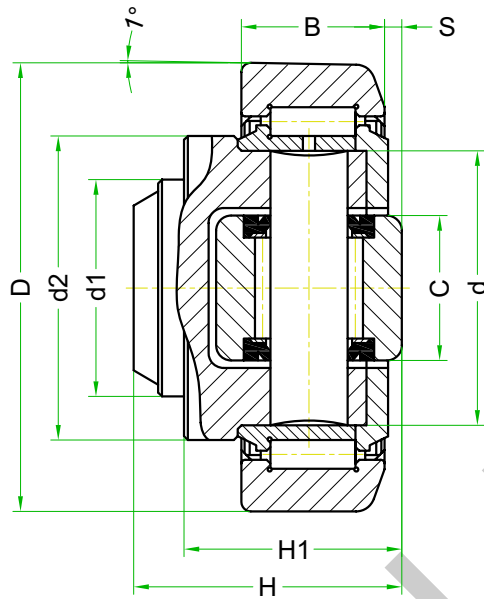
Unit: mm

Code	Original ref.	Dimensions						Weight, kg
		d	D	B	C	D1	G	
E 0200	901129	40	70	25	26.5	78	19	0.50
E 0210	900655	40	80	26	28	90	19	0.75
E 0220	901128	40	80	41	43	98	33	1.20
E 0230	901062	40	85	36	38	98	28	1.20
E 0240	901076	50	100	40	42	115	33	1.70
E 0250	901127	50	110	56	58	135	45	1.80
E 0260	901126	50	130	65	67	158	55	3.50

Remarks:

Original references are for correct identification of products only.

Fork Lift Bearings. Suitable ELECAR



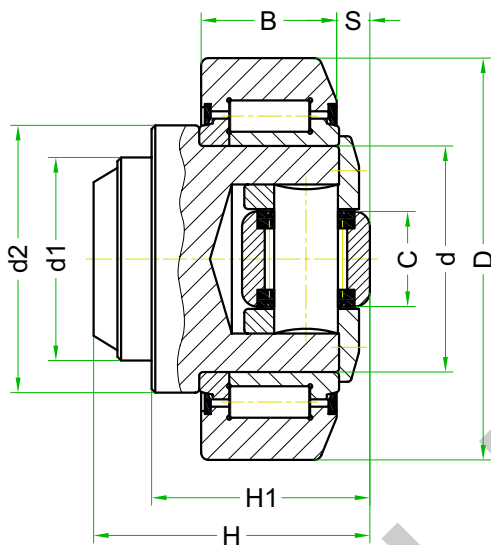
Unit: mm

Code	Original ref.	Dimensions									Weight, kg
		d1	D	B	H	H1	C	d	d2	S	
E 0100	0838	35	70.35	23	40.5	30.5	22	42	48	2.5	0.74
E 0110	0586	40	78.3	23	40.7	29	24	46	54	3.5	0.88
E 0120	0590	50	101.9	28	46	33	30	58	67	3	1.72
E 0130	0650	55	108.5	31	53	39	34	63	71	3.5	2.22

Remarks:

Original references are for correct identification of products only.

Fork Lift Bearings. Suitable ELECAR



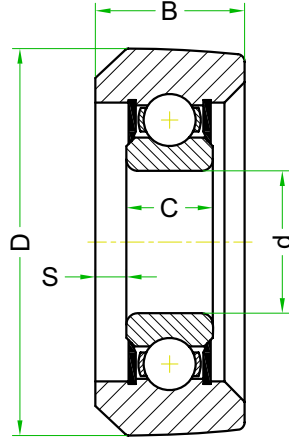
Unit: mm

Code	Original ref.	Dimensions									Weight, kg
		d1	D	B	H	H1	C	d	d2	S	
E 0300	0602	30	62	20	43	33	16	38	42	5.5	0.60
E 0310	0603	35	70.1	23	48	40	16	42	48	6.5	0.90
E 0320	0604	40	77.7	23	50.5	39.5	21	46	53	7	1.05
E 0330	0606	45	88.9	30	61	48	21	50	59	7	1.70
E 0340	0608	60	107.7	31	69	55	33	63	71	8	2.40
E 0350	0610	60	123.1	37	75.8	59.5	33	71	80	8	4.10
E 0360	0611	60	149	45	89	69	50	90	103	15	6.80

Remarks:

Original references are for correct identification of products only.

Fork Lift Bearings. Suitable FIAT-OM



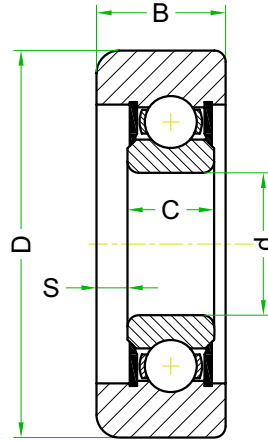
Unit: mm

Code	Original ref.	Dimensions					Weight, kg
		d	D	B	C	S	
F 0010 S	9293281	20	62.2	28.5	15	8	
F 0020 S	9293282	28	75.2	35	18	9.5	
F 0030 S	9293283	35	88.2	37	24	9.5	
F 0040 S	9293284	40	101.2	40	25	8.5	

Remarks:

Original references are for correct identification of products only.

Fork Lift Bearings. Suitable FIAT-OM



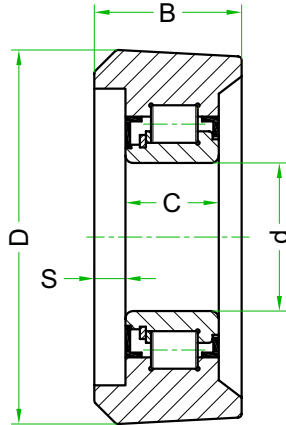
Unit: mm

Code	Original ref.	Dimensions					Weight, kg
		d	D	B	C	S	
F 0060 S	9463920	28	77.2	27	18	7.5	
F 0070 S	9465252	35	88.2	30	21	7.5	0.78
F 0080 S	9467557	40	101.2	34	25	7.5	1.21

Remarks:

Original references are for correct identification of products only.

Fork Lift Bearings. Suitable FIAT-OM



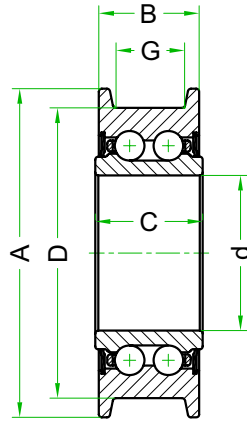
Unit: mm

Code	Original ref.	Dimensions					Weight, kg
		d	D	B	C	S	
F 0020 R	9440733	28	75.2	35	18	9.5	0.66
F 0030 R	9440726	35	88.2	37	24	9.5	0.82
F 0040 R	9438978	40	101.2	40	25	8.5	1.25

Remarks:

Original references are for correct identification of products only.

Fork Lift Bearings. Suitable FIAT-OM



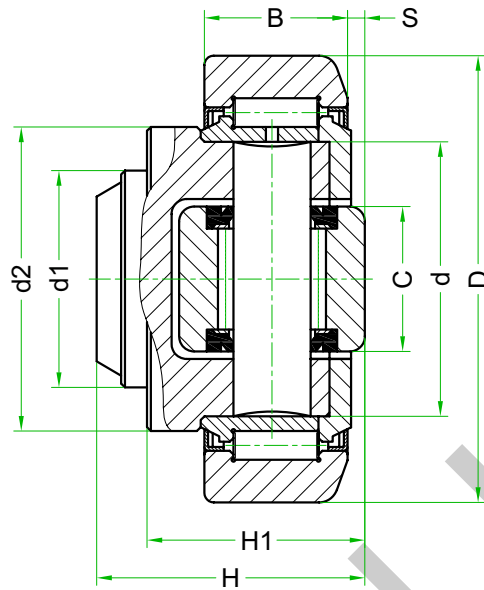
Unit: mm

Code	Original ref.	Dimensions						Weight, kg
		d	D	B	C	A	G	
F 0300	9438329	30	82	32	33.5	97	22	0.80
F 0310	9462674	35	105	40	41	120	31	1.10

Remarks:

Original references are for correct identification of products only.

Fork Lift Bearings. Suitable FIAT-OM



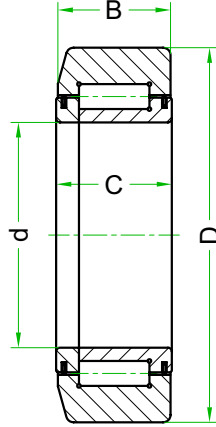
Unit: mm

Code	Original ref.	Dimensions									Weight, kg
		d1	D	B	H	H1	C	d	d2	S	
E 0100	9819025/26	40	77.7	26.5	48	36.8	18	45.7	54	3.8	1.20
E 0110	9815711	45	88.4	30	57	44	20	46.8	60	4	1.61
E 0120	9444648	60	107.7	36	69	55	26	60	73	3.5	2.69

Remarks:

Original references are for correct identification of products only.

Fork Lift Bearings. Suitable FIAT-OM



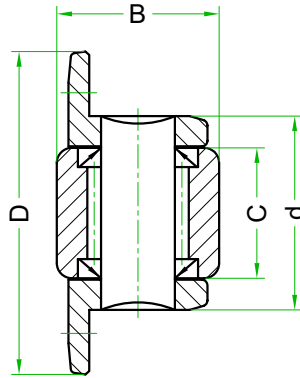
Unit: mm

Code	Original ref.	Dimensions				Weight, kg
		d	D	B	C	
F 0200	9465262	60	107.5	36	37	1.50
F 0210	9465266	65	123	37	38	2.00
F 0220	9449730	82	149	45	46	2.50

Remarks:

Original references are for correct identification of products only.

Fork Lift Bearings. Suitable FIAT-OM



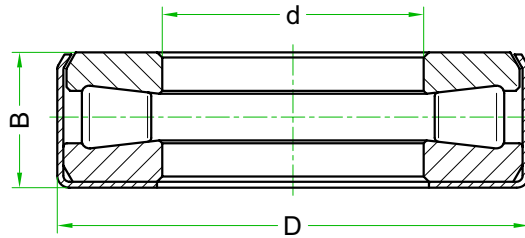
Unit: mm

Code	Original ref.	Dimensions				Weight, kg
		d	D	B	C	
F 0230	9465261	45	73	36	26	0.25
F 0240	9465265	48	74	38	33	0.33
F 0250	9449733	61	87	47	42	0.75

Remarks:

Original references are for correct identification of products only.

Fork Lift Bearings. Suitable FIAT-OM



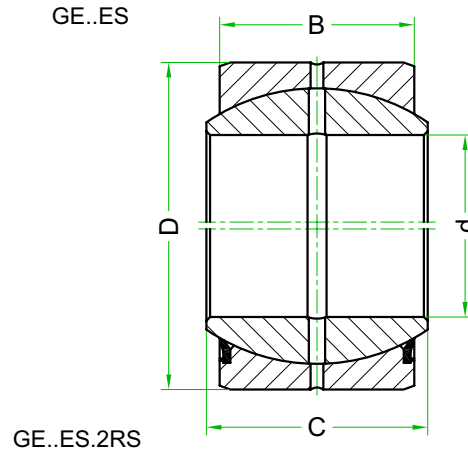
Unit: mm

Code	Original ref.	Dimensions			Weight, kg
		d	D	B	
F 0400		27	58	15.5	
F 0410		28	55	15.5	
F 0420	9293285	30	66.7	19.5	
F 0430	9262510	32	67	20	
F 0440	9265961	48.5	81.8	24	

Remarks:

Original references are for correct identification of products only.

Fork Lift Bearings. Suitable FIAT-OM



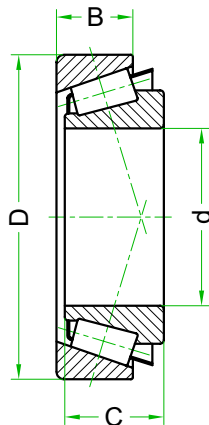
Unit: mm

Code	Original ref.	Dimensions				Weight, kg
		d	D	B	C	
GE 17 ES	9437252	17	30	10	14	0.0410
GE 20 ES	9441354	20	35	12	16	0.0660
GE 25 ES	9462694	25	42	16	20	0.1190
GE 25 ES.2RS	9461043	25	42	16	20	0.1190
GE 30 ES	9462818	30	47	18	22	0.1530
GE 30 ES.2RS	9461044	30	47	18	22	0.1530
GE 35 ES	9281876	35	55	20	25	0.2330
GE 35 ES.2RS	9461622	35	55	20	25	0.2330
GE 40 ES.2RS	9468294	40	62	22	28	0.3060

Remarks:

Original references are for correct identification of products only.

Fork Lift Bearings. Suitable FIAT-OM



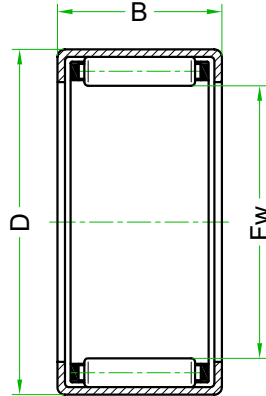
Unit: mm

Code	Original ref.	Dimensions				Weight, kg
		d	D	B	C	
30203	26799910	17	40	11	12	0.08
30303	26800310	17	47	12	14	0.13
30205	26799930	25	47	11.5	15	0.15
32006	9437269	30	55	13	17	0.17
31306	28042210	30	72	14	19	.
30306	26800340	30	72	16	19	0.39
32007	9437270	35	62	14	18	0.22
32207	26800130	35	72	19	23	0.27
30208	26799960	40	68	14.5	22	0.42
31308	28042230	40	90	17	23	.
32209	26800150	45	85	19	23	0.37
33209	9439367	45	85	25	32	.
32011	9461396	55	90	17.5	23	0.55
33211	9439368	55	100	27	35	.
32012	9287111	60	95	17.5	23	0.59
30312	9284935	60	130	26	31	1.95
30315	9284934	70	160	31	37	3.45
33015	9288695	75	115	25.5	31	.
33116	9435010	80	130	29	37	.
32019	9431294	95	145	24	32	1.80
30220	26800080	100	150	24	32	3.65

Remarks:

Original references are for correct identification of products only.

Fork Lift Bearings. Suitable FIAT-OM



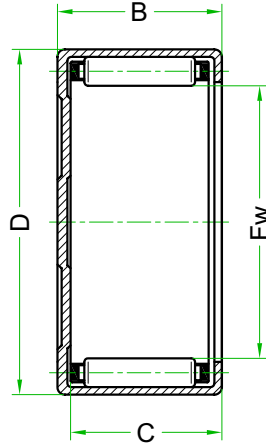
Unit: mm

Code	Original ref.	Dimensions			Weight, kg
		Fw	D	B	
HK 2216	9277542	22	28	16	0.0209
HK 2526	9286429 / 9464497	25	32	26	0.0448
HK 2538	9267216 / 9464494	25	32	38	0.0647
HK 3038	9277546	30	37	38	0.0761
HK 4020	9439358	40	47	20	0.0518

Remarks:

Original references are for correct identification of products only.

Fork Lift Bearings. Suitable FIAT-OM



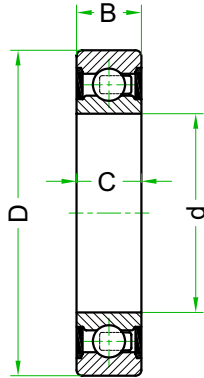
Unit: mm

Code	Original ref.	Dimensions				Weight, kg
		Fw	D	B	C	
BK 2216	9277543	22	28	16	13.3	0.0243
BK 2520	9283152	25	32	20	17.3	0.0387
BK 2538	9277545	25	32	38	35.3	0.0690

Remarks:

Original references are for correct identification of products only.

Fork Lift Bearings. Suitable FIAT-OM



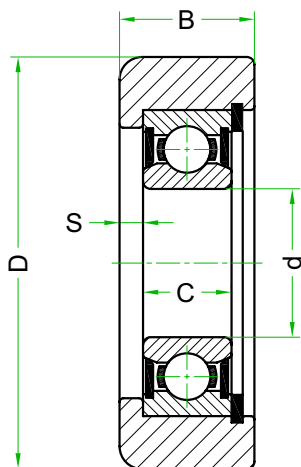
Unit: mm

Code	Original ref.	Dimensions				Weight, kg
		d	D	B	C	
608-2RS	9475948	8	22	7	7	0.012
6005-2ZR	9815447	25	47	12	12	0.080
6205-2RS	9831901	25	52	15	15	0.128
6205-2RS/C3	9817890	25	52	15	15	0.128
6305-ZR	28040070	25	62	17	17	0.232
6405	9479189	25	80	21	21	0.530
6006-2RS	24905100	30	55	13	13	0.116
6206-2ZR	28042760	30	62	16	16	0.199
6306-2RS	26799960	30	72	19	19	0.346
6306-2ZR	28043310	30	72	19	19	0.346
6007	9479190	35	62	14	14	0.155
6207-2ZR	28042770	35	72	17	17	0.288
6307/C3	9435286	35	80	21	21	0.457
61909-2RS	95319718	45	68	12	12	.
6218	9478852	90	160	30	30	2.15
6020	28042600	100	150	24	24	3.14

Remarks:

Original references are for correct identification of products only.

Fork Lift Bearings. Suitable Hyster



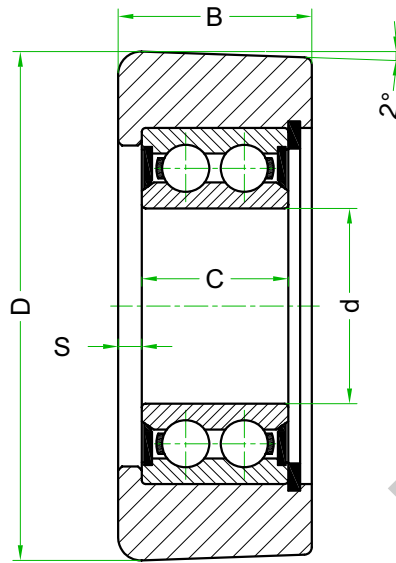
Unit: mm

Code	Original ref.	Dimensions					Weight, kg
		d	D	B	C	S	
H 0010	1333395	35	111.1	30	21	5	
H 0020	1333396	35	111.8	30	21	5	
H 0030	1333397	35	112.6	30	21	5	
H 0040	1345218	40	111.1	32	23	5	
H 0050	1345219	40	111.8	32	23	5	
H 0060	1345220	40	112.6	32	23	5	

Remarks:

Original references are for correct identification of products only.

Fork Lift Bearings. Suitable Hyster



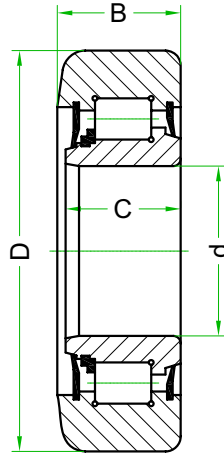
Unit: mm

Code	Original ref.	Dimensions					Weight, kg
		d	D	B	C	S	
H 0070	1333648	40	103.5	43	30.2	8	
H 0080	1343010	40	104.2	43	30.2	8	
H 0090	1343011	40	105	43	30.2	8	
H 0100	1333649	40	126.5	43	30.2	7	
H 0110	1343002	40	127.3	43	30.2	7	
H 0120	1343003	40	128	43	30.2	7	

Remarks:

Original references are for correct identification of products only.

Fork Lift Bearings. Suitable LINDE



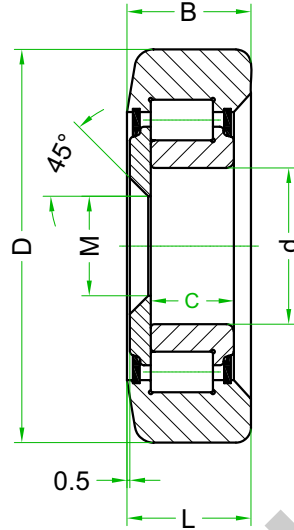
Unit: mm

Code	Original ref.	Dimensions				Weight, kg
		d	D	B	C	
L 0010	000 924 9533	30	75.3	24	23.5	0.65
L 0020	000 924 9534	30	75.6	24	23.5	0.65
L 0030	000 924 9535	30	75.9	24	23.5	0.65
L 0040	000 924 9504	35	80.9	26	25.5	0.67
L 0050	000 924 9505	35	81.2	26	25.5	0.67
L 0060	000 924 9506	35	81.5	26	25.5	0.67
L 0070	000 924 9475	40	89.9	29	27	1.00
L 0080	000 924 9476	40	90.2	29	27	1.00
L 0090	000 924 9477	40	90.5	29	27	1.00
L 0100	000 924 9480	45	105.4	34	32	1.80
L 0110	000 924 9481	45	105.8	34	32	1.80
L 0120	000 924 9482	45	106.1	34	32	1.80
L 0130	000 924 9461	65	135.1	42	35	2.70
L 0140	000 924 9462	65	135.6	42	35	2.70

Remarks:

Original references are for correct identification of products only.

Fork Lift Bearings. Suitable LINDE



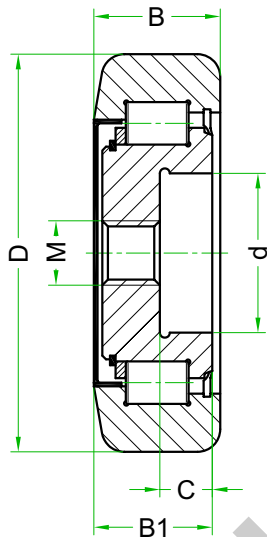
Unit: mm

Code	Original ref.	Dimensions						Weight, kg
		d	D	B	C	M	L	
S 0010	000 924 9441/9512	30	75.2	24	16.25	19	20.75	0.65
S 0040	000 924 9442/9513	30	75.7	24	16.25	19	20.75	0.65
S 0050	000 924 9529	30	75.9	24	16.25	19	20.75	0.65
S 0060	000 924 9443/9514	30	76.2	24	16.25	19	20.75	0.65

Remarks:

Original references are for correct identification of products only.

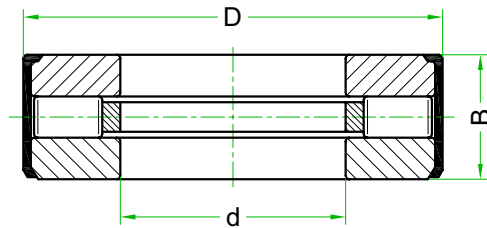
Fork Lift Bearings. Suitable LINDE



Unit: mm

Code	Original ref.	Dimensions						Weight, kg
		d	D	B	C	B1	M	
L 0200	000 924 9402	30	75	24	10	22	12	0.80
L 0210	000 924 9403	30	76	24	10	22	12	0.80
L 0220	000 924 9421	36	89.5	29	9.8	25	16	1.00
L 0230	000 924 9412	36	90.5	29	9.8	25	16	1.00
L 0240	000 924 9422	42	105	34	9.5	29.5	20	2.00
L 0250	000 924 9424	42	105.6	34	9.5	29.5	20	2.00
L 0260	000 924 9423	42	106.5	34	9.5	29.5	20	.

Fork Lift Bearings. Suitable LUGLI



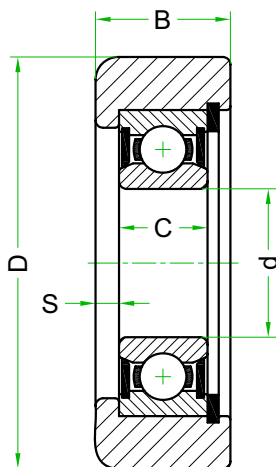
Unit: mm

Code	Original ref.	Dimensions			Weight, kg
		d	D	B	
LG 0100	2733501	30.3	65	15	
LG 0150		35.3	65	15	
LG 0200	2733467	40.2	72.8	21.5	

Remarks:

Original references are for correct identification of products only.

Fork Lift Bearings. Suitable NISSAN



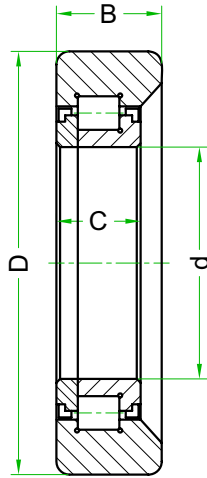
Unit: mm

Code	Original ref.	Dimensions					Weight, kg
		d	D	B	C	S	
T 0030	59117-01H01	35	94.5	28	21	3.5	
N 0020	59117-00H00	35	97	28	21	3.5	
N 0030	59117-00H01	35	97.5	28	21	3.5	
N 0040	59117-10H01	35	102.5	28	21	3.5	
N 0050	59117-00H10	35	105	28	21	3.5	
N 0060	59117-00H11	35	105.5	28	21	3.5	
N 0070	59117-10H11	35	109.5	28	21	3.5	
N 0080	59117-20H00	40	115	32	23	4.5	
N 0090	59117-20H01	40	115.5	32	23	4.5	
N 0100	59117-20H11	40	123.5	32	23	4.5	

Remarks:

Original references are for correct identification of products only.

Fork Lift Bearings. Suitable PGS-LTE



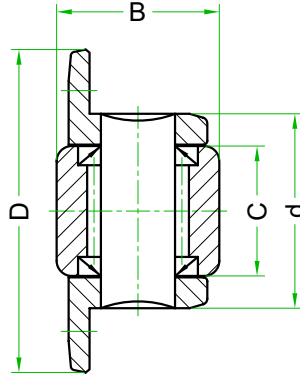
Unit: mm

Code	Original ref.	Dimensions				Weight, kg
		d	D	B	C	
P 0010	9666 - 00560	35	60.5	20	17.2	
P 0020	10330 - 00561	45	73.4	21	17.2	
P 0030	9667 - 00562	45	80.5	25	17	
P 0040	C 1994038	45	81.8	25	17	
P 0050	9741 - 00563	55	100	25	20	
P 0060	-	55	101.8	25	20	
P 0070	11561 - 02406	65	107.5	27	23	
P 0080	11105 - 00564	65	120	33	23	
P 0090	-	65	121.8	33	23	
P 0100	11590 - 02405	65	130	33	23	

Remarks:

Original references are for correct identification of products only.

Fork Lift Bearings. Suitable PGS-LTE



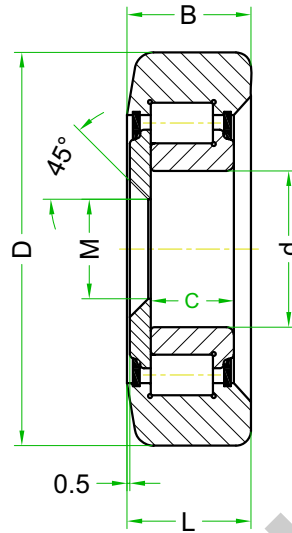
Unit: mm

Code	Original ref.	Dimensions				Weight, kg
		d	D	B	C	
P 0150	9668 - 00565	25	40	22	16	
P 0160	9669 - 00566	33	52	28	21	
F 0240	9743 - 00568	48	74	38	33	

Remarks:

Original references are for correct identification of products only.

Fork Lift Bearings. Suitable STILL



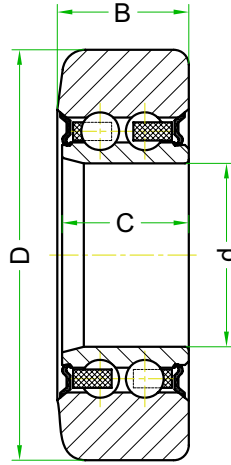
Unit: mm

Code	Original ref.	Dimensions						Weight, kg
		d	D	B	C	M	L	
S 0010	332864	30	75.2	24	16.25	19	20.75	0.65
S 0020	606899	30	75.3	24	16.25	19	20.75	-"
S 0030	605297	30	75.6	24	16.25	19	20.75	-"
S 0040	332865	30	75.7	24	16.25	19	20.75	-"
S 0050	605298	30	75.9	24	16.25	19	20.75	-"
S 0060	332866	30	76.2	24	16.25	19	20.75	-"
S 0070	332868	36	89.8	29	16.45	20	24.10	1.00
S 0080	332869	36	90.3	29	16.45	20	24.10	1.00
S 0090	332870	36	90.8	29	16.45	20	24.10	1.00
S 0100	332872	42	105.2	34	20.25	23	28.75	
S 0110	332873	42	105.7	34	20.25	23	28.75	
S 0120	332874	42	106.2	34	20.25	23	28.75	

Remarks:

Original references are for correct identification of products only.

Fork Lift Bearings. Suitable STILL



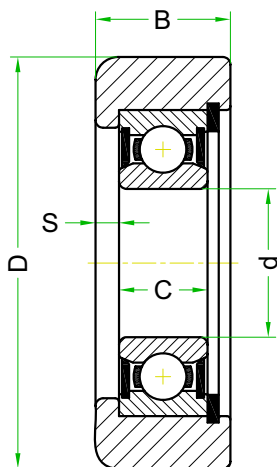
Unit: mm

Code	Original ref.	Dimensions				Weight, kg
		d	D	B	C	
L 0040 S	611669	35	80.9	26	25.5	
L 0050 S	611670	35	81.2	26	25.5	
L 0060 S	611671	35	81.5	26	25.5	
L 0130 S	338704	65	135.1	42	35	
L 0140 S	338705	65	135.6	42	35	

Remarks:

Original references are for correct identification of products only.

Fork Lift Bearings. Suitable TOYOTA



Unit: mm

Code	Original ref.	Dimensions					Weight, kg
		d	D	B	C	S	
T 0010	63381-30800-71	25	79.5	24	17	3.5	
T 0020	63381-10480-71	35	93	28	21	3.5	
T 0030	61236-10480-71	35	94.5	28	21	3.5	
T 0040	D 31348	35	95	28	21	3.5	
T 0050	61821-10480-71	35	114.5	28	21	3.5	
T 0060	63381-20540-71	40	108.5	32	23	4.5	
T 0070	61236-20540-71	40	109.7	32	23	4.5	
T 0080	61236-F2030-71	40	119.7	28	18	4.5	
T 0090	61821-20540-71	40	125.5	32	23	4.5	
T 0100	63355-31980-71	45	114.5	34	25	4.5	
T 0110	63355-31980-71	45	124.5	34	25	4.5	
T 0120	63355-31980-71	55	150	45	29	8	

Remarks:

Original references are for correct identification of products only.